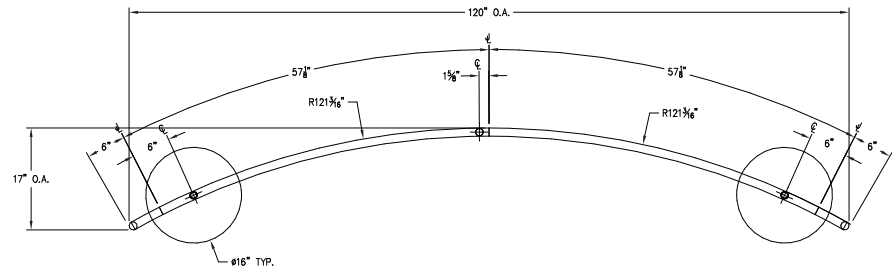
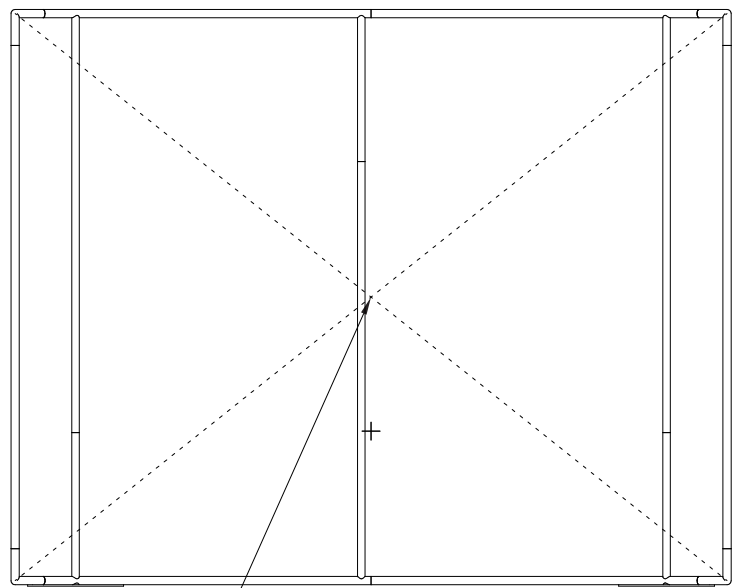


SIDE VIEW



TOP VIEW

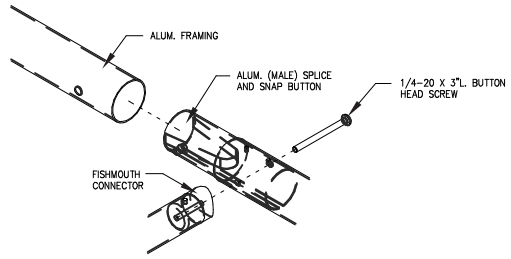


FRONT VIEW

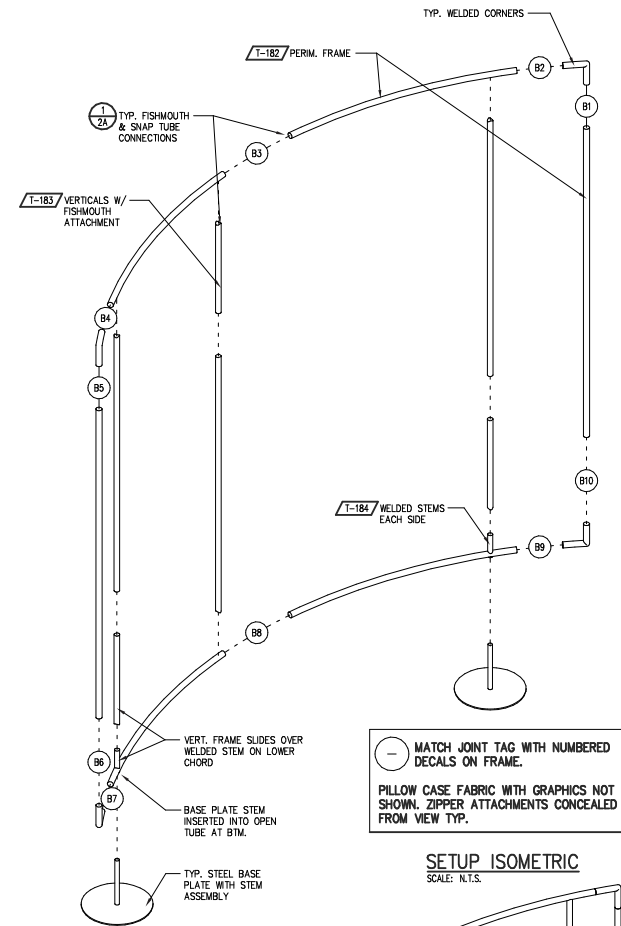
CURVED WALL
SCALE: 1"=1'-0"

NOTES:
t = JOINT LINE

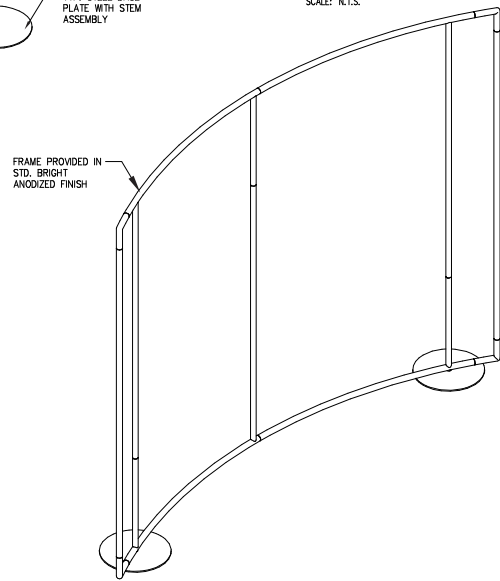
M-026 DYE-SUB PILLOW CASE GRAPHIC W/ CONCEALED ZIPPER AT TOP
M-025 SEW-IN



TYP. SNAP TUBE CONNECTION
SCALE: 1"=1'-0"



SETUP ISOMETRIC
SCALE: N.T.S.



FRAMING ISOMETRIC
SCALE: N.T.S.

SPLASH - CURVED WALL

SCALE: 3/8" = 1'-0"



THIS DRAWING REPRESENTS DESIGN INTENT AND CONCEPT ONLY. The designer and associates are responsible for the visual aspects of this production, and all specifications provided relate solely to the appearance and not matters of mechanical or structural soundness and/or safety. The implementation of this design must comply with the most stringent applicable Federal, State, and local safety and fire codes. Dazian is not qualified to determine mechanical or structural appropriateness of the design and will not assume responsibility for damages resulting from the use of this design. Dazian agrees to make prompt correcting alterations to any specification found to be incompatible with proper fire and safety precautions.

SCALE: 3/8" = 1'-0" (TABLOID)
DRAWN BY: Ed Haynes

DAZIAN
Creative Fabric Environments
10671 Lorne Street, Sun Valley, CA 91352
818-287-3800 • 818-287-3810(Fax)
www.dazian.com

DRAWING: SPLASH WALLS.pin
LAYOUT: SPLASH - CURVED WALL
DATE: Friday, February 5, 2016

PROJECT: SPLASH WALLS
LOCATION: