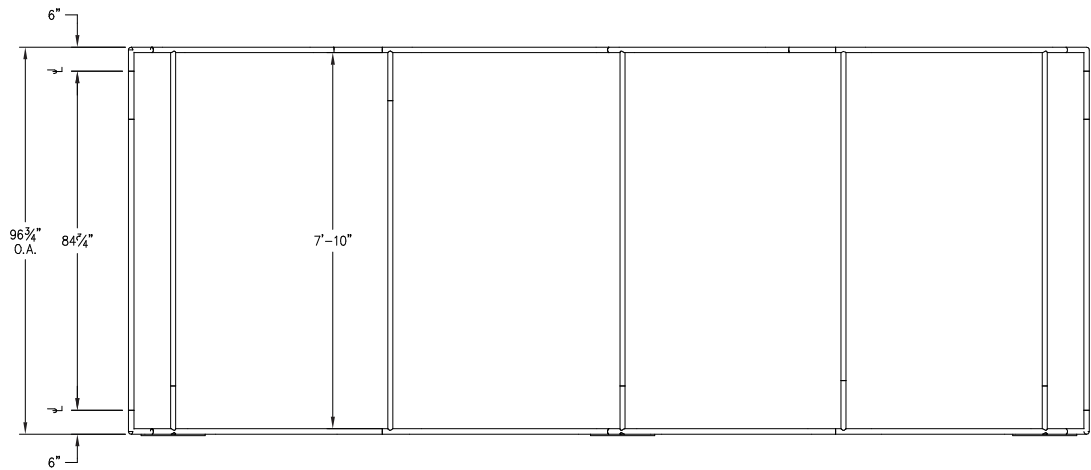


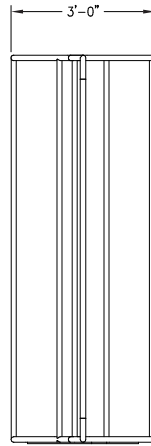
TOP VIEW



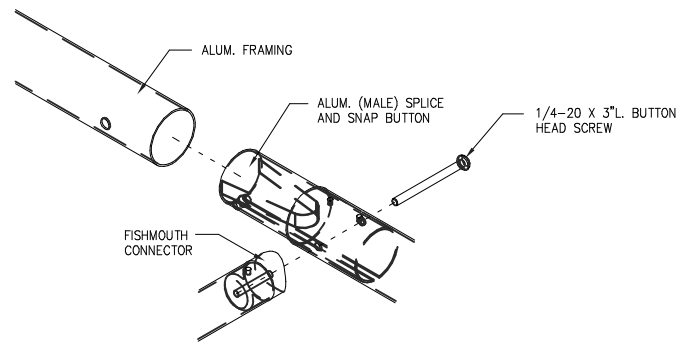
FRONT VIEW

NOTES:  
 ↓ = JOINT LINE

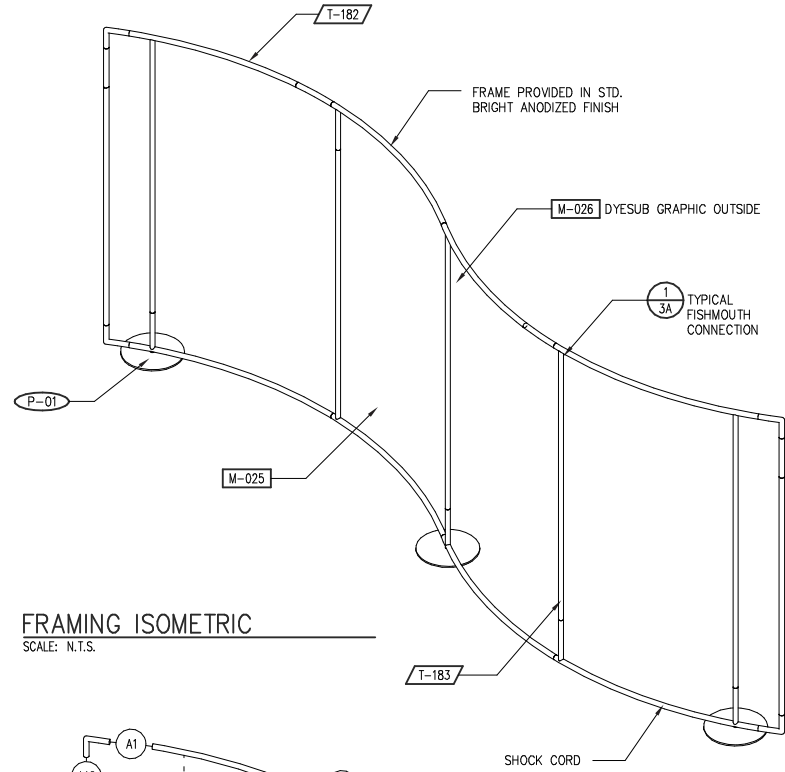
CURVED WALL  
 SCALE: 1/2"=1'-0"



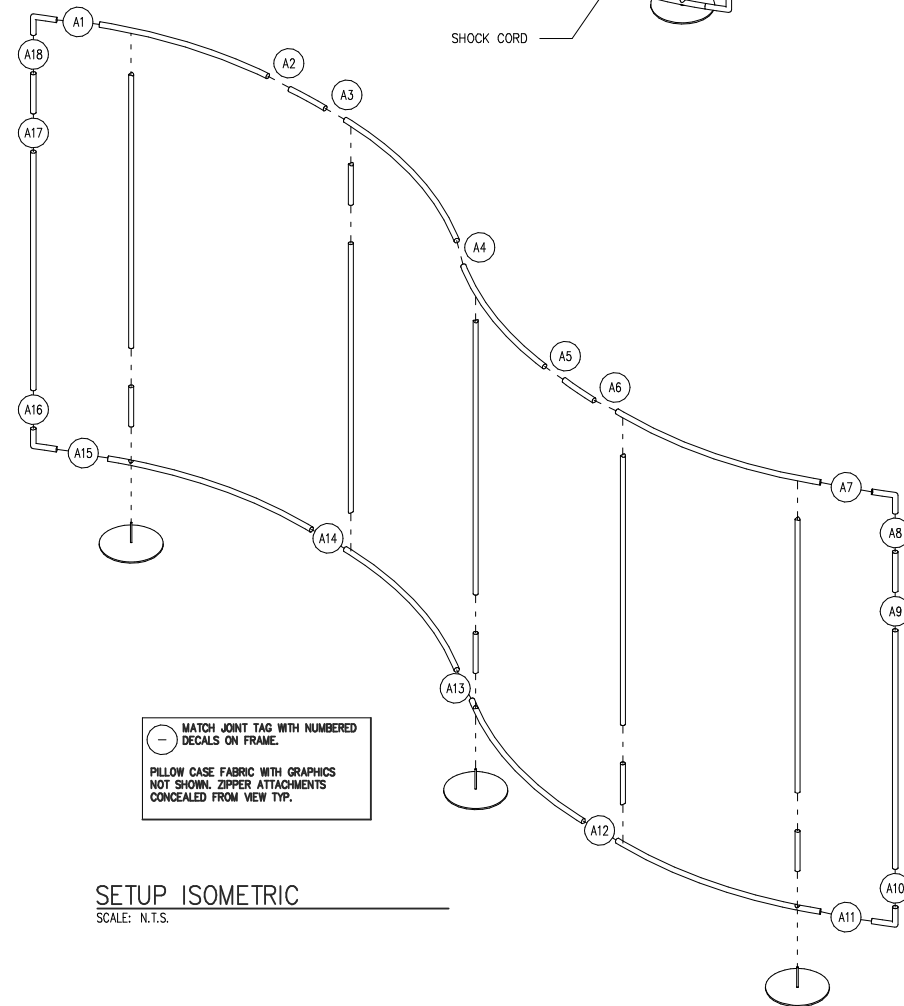
RIGHT VIEW



TYP. SNAP TUBE CONNECTION  
 SCALE: 1/2"=1'-0"



FRAMING ISOMETRIC  
 SCALE: N.T.S.



MATCH JOINT TAG WITH NUMBERED DECALS ON FRAME.  
 PILLOW CASE FABRIC WITH GRAPHICS NOT SHOWN. ZIPPER ATTACHMENTS CONCEALED FROM VIEW TYP.

SETUP ISOMETRIC  
 SCALE: N.T.S.

# SPLASH - WAVE WALL

SCALE: 1/4" = 1'-0"



THIS DRAWING REPRESENTS DESIGN INTENT AND CONCEPT ONLY. The designer and associates are responsible for the visual aspects of this production, and all specifications provided relate solely to the appearance and not matters of mechanical or structural soundness and/or safety. The implementation of this design must comply with the most stringent applicable Federal, State, and local safety and fire codes. Dazian is not qualified to determine mechanical or structural appropriateness of the design and will not assume responsibility for damages resulting from the use of this design. Dazian agrees to make prompt correcting alterations to any specification found to be incompatible with proper fire and safety precautions.

SCALE: 1/4" = 1'-0" (TABLOID)  
 DRAWN BY: Ed Haynes

**DAZIAN**  
 Creative Fabric Environments  
 10671 Lorne Street, Sun Valley, CA 91352  
 818-287-3800 • 818-287-3810(Fax)  
 www.dazian.com

DRAWING: SPLASH WALLS.pin  
 LAYOUT: SPLASH - WAVE WALL  
 DATE: Friday, February 5, 2016

PROJECT: SPLASH WALLS  
 LOCATION: