

DMX512 DECODER USER MANUAL

I. Specifications

Working temperature: -20-60° C

Supply voltage: DV 12-24V

Product size: L166xW67xH41 mm

Package size: L185xW85xH59 mm

Net weight: 340g

Gross weight: 380g

Output: Three CMOS drain-open output

Connecting Mode: Common anode

Max output current: 4 A each color

II: Function

1. Each DMX common controller occupied 3 DMX addresses. Each coding switch can set address code from 1 to 9, 1 is the lowest, and 9 is the highest. A combination of 511 address codes are possible. DMX original address code is the total value of the coding switch value from 1 to 9. Dial the coding switch upward (ON is set to 1) to set the bit value (by default the bit value is 0). For example: if you want to set 37 as the address code, you can only dial down the first, the third, and the sixth code switch, the total value of coding switch from 1 to 9 is 32+4+1. The default address code of DMX512 is 37.

2. DMX signal can be received when coding switch FUN (10) = OFF (ON is set to 0)

3. When the coding switch FUN (10) is on, its function is as follows:



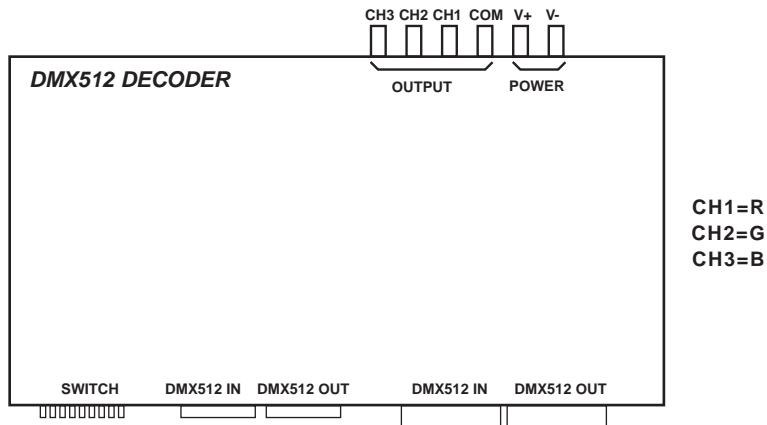
CODING SWITCH	FUNCTION
Switch 1-9 is OFF	black
Switch 1 = ON	red
Switch 2 = ON	green
Switch 3 = ON	blue
Switch 4 = ON	yellow
Switch 5 = ON	purple
Switch 6 = ON	cyan
Switch 7 = ON	white
Switch 8 = ON	seven-color jumpy changing (8 steps speed)
Switch 9 = ON	seven-color gradual changing (8 step speed)

4. If the coding switch is 8 or 9, speed option is 1 to 7. There are 8 steps total:

Switch 1-7 is OFF	0 step
Switch 1 = ON	1 steps
Switch 2 = ON	2 steps
Switch 3 = ON	3 steps
Switch 4 = ON	4 steps
Switch 5 = ON	5 steps
Switch 6 = ON	6 steps
Switch 7 = ON	7 steps (the greatest speed)

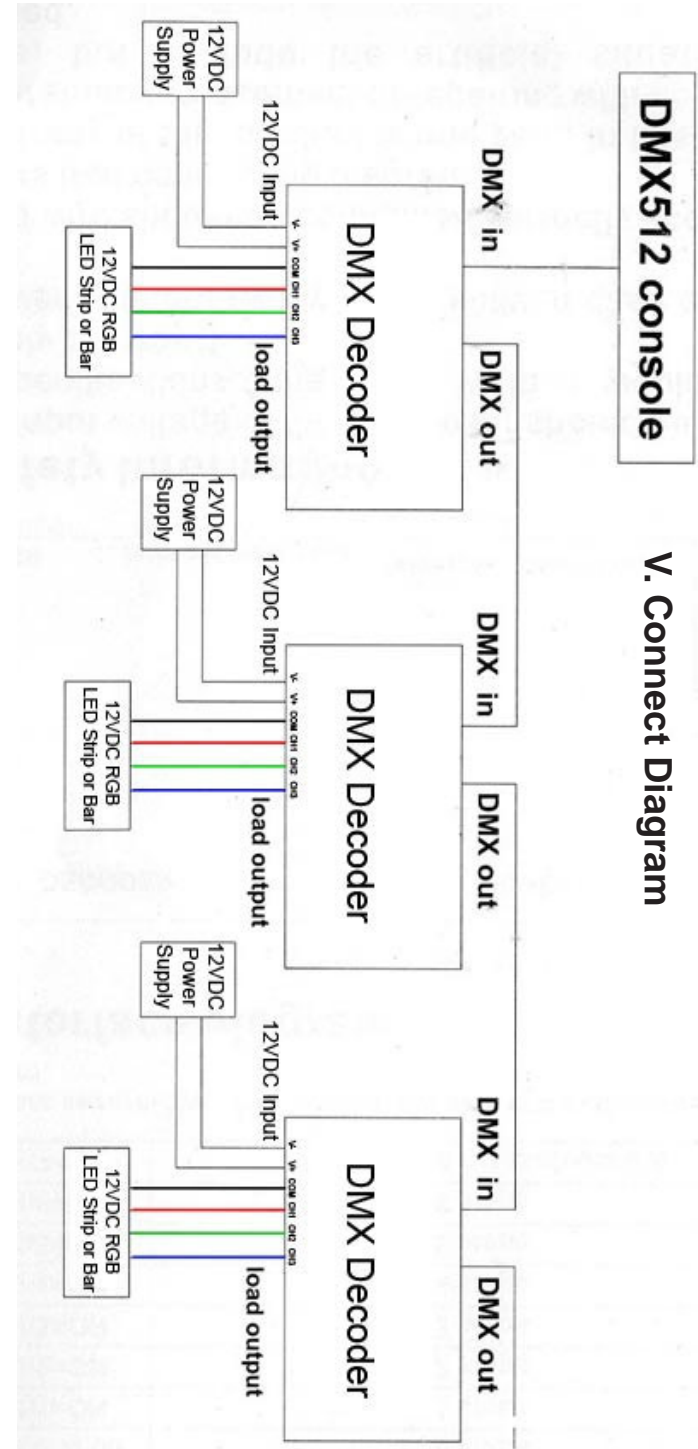
5. There can be several switches ON at the same time.

III: Interface Diagram

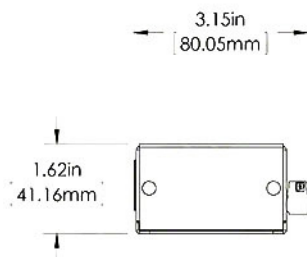
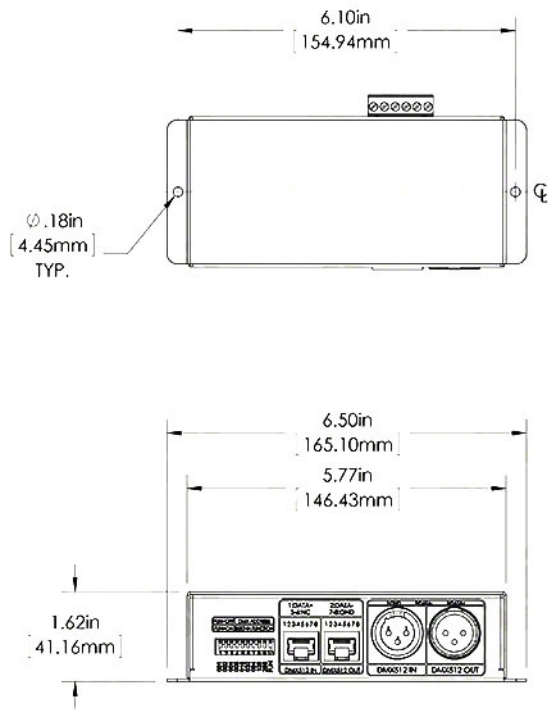


IV. Safety Information

1. Input voltage specifications for this controller should be followed strictly to avoid accidents or damage to the device.
2. Never connect two wires directly to avoid circuit shorting.
3. Lead wire should be connected according to the color diagram.
4. The warranty is valid for one year - we guarantee replacement or repairing free of charge. Warranty may be voided if product is misused or damage is artificially induced.



Dimensional Drawing



Controller

